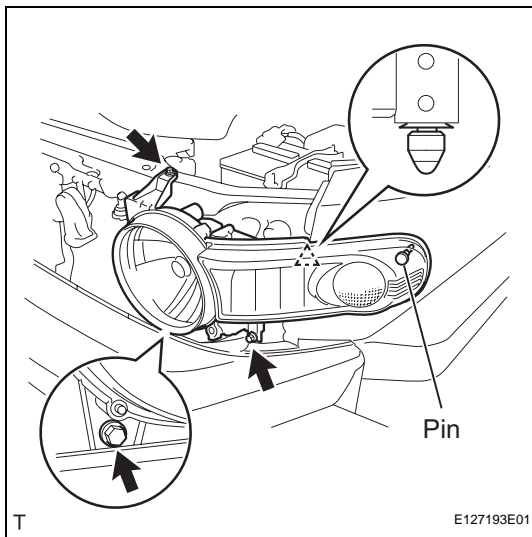


INSTALLATION

1. INSTALL HEADLIGHT ASSEMBLY

- (a) Install the headlight onto the vehicle.
- (b) Tighten the 3 screws.
- (c) Connect the 2 connectors.



2. INSTALL FRONT BUMPER FILLER

- (a) Engage the 2 claws and clip and install the front bumper filler.

3. INSTALL RADIATOR GRILLE (See page [ET-11](#))

4. CONNECT CABLE TO NEGATIVE BATTERY TERMINAL

Torque: 3.9 N*m (40 kgf*cm, 35 in.*lbf)

